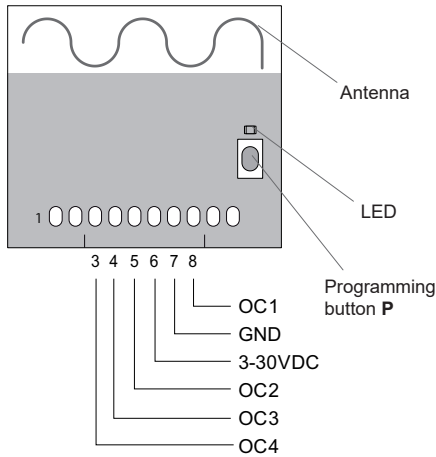


**Connection diagram**

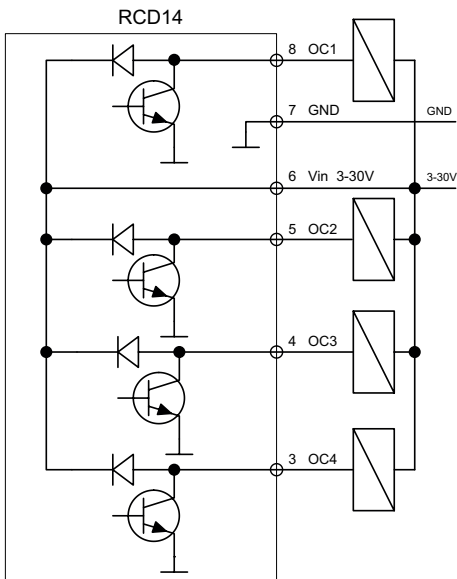


**RCD14E5004B1**

**Technical details**

Frequency: 868.30MHz  
 Modulation: FSK  
 Coding:  
 Operating mode OM1  
 Easywave A/B Output OC1  
 Easywave C/D Output OC3  
 Operating mode OM2 and OM3  
 Easywave A Output OC1  
 Easywave B Output OC2  
 Easywave C Output OC3  
 Easywave D Output OC4  
 Power supply: 3-30VDC  
 Current consumption: 10mA  
 Output load:  
 U<sub>max</sub> 40V  
 I<sub>max</sub> 80mA  
 Operating temperature: -20°C to +60°C  
 Dimensions (w/l/h): 35/31/3.5 mm  
 Contact spacing: 2.54 pitch

**Wiring example**



**Intended Use**

This unit may only be used as a radio control system for low-voltage applications!  
 The manufacturer shall not be liable for any damage caused by improper or non-intended use!

**Safety advice**

Carefully read through these instructions before connecting and operating the device!  
 - Have malfunctioning devices checked by the manufacturer!  
 - Do not make any unauthorized alterations or modifications to the device!

**Select operating mode**

For programming (see "Programming transmission codes") there are 3 programming modes for the 3 operating modes (OM) of the receiver. These operating modes are displayed by different LED flashing patterns.

Operating Mode	LED Flashing
OM1 <b>ON/OFF</b> (2 button operation) OC1=ON/OFF (A/B) OC3=ON/OFF (C/D)	
OM2 <b>ON/OFF toggle</b> (1 button operation) and <b>DEAD MAN</b> (button pressed > 1,6s) OC1=A, OC2=B, OC3=C, OC4=D	
OM3 <b>DEAD MAN</b> (max. 36 sec) OC1=A, OC2=B, OC3=C, OC4=D	

Change the operating mode by briefly (< 1.6 sec) pressing the programming button:

**Operational Readiness → OM1 → OM2 → OM3 → Operational Readiness**

**Programming transmission codes**

In programming mode you can transfer the codes of your transmitter to the receiver.

Note: Generally you only have to transfer the code of one button per transmitter. The code of the associated transmitter buttons will be assigned automatically.

- Briefly (<1.6 sec.) press the programming button P. Programming mode 1 is activated. The LED flashes. If necessary change the operating mode (see "Select operating mode").
- Press and hold a transmitter button. As soon as the code has been programmed, the LED lights up for 4 sec. and then flashes again. Release the transmitter button.
- Repeat step 2 with other transmitters if needed. You can program up to 32 transmitter codes into the receiver.
- Briefly (<1.6sec.) press the programming button P to return to the operational readiness.

Even in case of longer power failure the programming of the receiver remains.

**Deleting individual codes**

In this mode you can delete specific transmitter codes.

- Press the programming button P for more than 1.6 sec. The delete mode is activated. The LED flashes rapidly.
- Press the transmitter button to be deleted. As soon as the LED of the radio control lights up for approx. 4 sec., the transmission code has been deleted

By briefly pressing the programming button P, you can abort the delete procedure.

**Deleting all codes (Reset)**

In "Reset" mode you can delete all programmed transmitter codes.

- Press the programming button P for more than 1.6 sec. The delete mode is activated. The LED flashes rapidly.
- Press the programming button P again for more than 1.6 sec. As soon as the LED lights up for approx. 4 sec., all programmed codes have been deleted

By briefly pressing the programming button P, you can abort the delete procedure.

**Disposal**

**Waste electrical products and batteries may not be disposed of with household waste!**

Dispose of the waste product via a collection point for electronic scrap or via your specialist dealer.



Put the packaging material into the recycling bins for cardboard, paper and plastics.



**Warranty**

Within the statutory warranty period we undertake to rectify free of charge by repair or replacement any product defects arising from material or production faults.

Any unauthorized tampering with, or modifications to, the product shall render this warranty null and void.

**Conformity**



Hereby, ELDAT EaS GmbH declares that the radio equipment type RCD14 is in compliance with Directive 2014/53/EU. The full text of the EU declaration of conformity is available at the following internet address: [www.eldat.de](http://www.eldat.de)

**Service**

If, despite correct handling, faults or malfunctions occur or if the product was damaged, please contact your retailer or the manufacturer.

**ELDAT EaS GmbH**

Schmiedestraße 2  
 15745 Wildau  
 Germany  
 Phone: +49 3375 9037-310  
 Internet: [www.eldat.de](http://www.eldat.de)  
 E-Mail: [info@eldat.de](mailto:info@eldat.de)