

RCD14 Receiver module

open-collector



The RCD14 open-collector receiver module allows existing controllers or devices to be retrofitted or combined with the Easywave radio system.

The open-collector outputs control connected devices according to the selected operating mode. The switched outputs OC1, OC2, OC3 and OC4 are permanently assigned to the button codes A, B, C and D.

The controller can be programmed with 32 transmission codes. In the event of a power failure, the programmed transmission codes are retained.

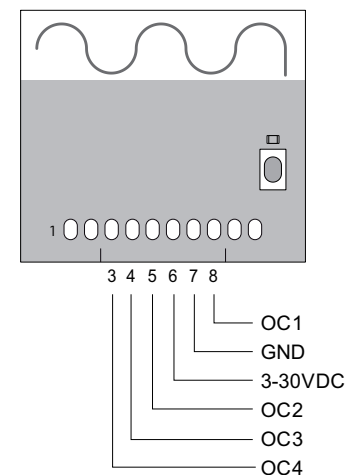


RCD14E5004B1

Technical specification

Coding	Easywave Up to 32 transmitters can be programmed.
Conformity	EN 300 220
Frequency	868.30 MHz
Power supply	3-30 VDC
Current consumption	10 mA
Output	4x open-collector
Output load max.:	
U _{max}	40 V
I _{max}	80 mA
Control	ON/OFF (2-button operation) ON/OFF + DEAD MAN (1-button operation) DEAD MAN (1-button operation)
Operating temperature	-20 °C to +60 °C
Dimensions (w/l/h)	35/31/3.5 mm Grid 2.54 mm

Connection diagram



Scope of delivery

- Receiver module open-collector

Models

Product numbers	Description
RCD14E5004B1	Receiver module open-collector, Easywave, 3-30V DC, 4x OC-Output